



01954
3hp Dust Collector
Single Bag



Please read and fully understand the instructions in this manual before operation. Keep this manual safe for future reference



01954
3hp Dust Collector
Single Bag



Please read and fully understand the instructions in this manual before operation. Keep this manual safe for future reference

CONTENTS

Page No.	Description
3	Contents
4	General Safety Instructions
6	Specific Safety Instructions
8	Technical Specifications
8	Contents and Accessories
9	Guarantee
10	Electrical Connection
11	Assembly Instructions
15	Operating Instructions
15	Maintenance
16	Exploded Drawing
17	Parts List
18	Notes

CONTENTS

Page No.	Description
3	Contents
4	General Safety Instructions
6	Specific Safety Instructions
8	Technical Specifications
8	Contents and Accessories
9	Guarantee
10	Electrical Connection
11	Assembly Instructions
15	Operating Instructions
15	Maintenance
16	Exploded Drawing
17	Parts List
18	Notes

GENERAL SAFETY INSTRUCTIONS

- 1. KNOW YOUR POWER TOOL.** Read this owner's manual carefully. Learn the tool's applications and limitations, as well as its specific potential hazards.
- 2. KEEP GUARDS IN PLACE** and in working order, never use the tool if any damage is present.
- 3. REMOVE ADJUSTING KEYS AND WRENCHES.** Form a habit of checking to see that adjusting tools and wrenches are removed from machine before turning it on.
- 4. KEEP WORK AREA CLEAN.** Cluttered areas and benches invite accidents.
- 5. DON'T USE IN DANGEROUS ENVIRONMENTS.** Don't use power tools in damp or wet locations, or expose them to rain. Keep work area well lit. Don't use the tool in the presence of flammable liquids or gases.
- 6. KEEP CHILDREN AWAY.** All visitors should be kept a safe distance from work area.
- 7. MAKE THE WORKSHOP CHILD PROOF** with padlocks, master switches or by removing starter keys.
- 8. DON'T FORCE THE TOOL.** It will do the job better and safer at the rate for which it was designed.
- 9. USE THE CORRECT TOOL.** Don't force the tool or attachment to do a job for which it was not designed; for example, don't use a circular saw for cutting tree limbs or logs.
- 10. WEAR PROPER APPAREL.** Do not wear loose clothing, gloves, neckties, rings, bracelets, or other jewellery which may get caught in moving parts. Non-slip footwear is recommended. Wear protective hair covering to contain long hair.
- 11. ALWAYS USE SAFETY GLASSES.** Also use a face or dust mask if cutting operation is dusty everyday, eyeglasses only have impact resistant lenses, they are NOT safety glasses.
- 12. SECURE WORK.** Use clamps or a vice to hold work when practical. It's safer than using your hand and it frees both hands to operate tool.
- 13. DON'T OVERREACH.** Keep proper footing and balance at all times.
- 14. MAINTAIN TOOLS WITH CARE.** Keep tools sharp and clean for best and safest performance. Follow instructions for lubricating and changing accessories.
- 15. DISCONNECT THE TOOL.** Before servicing; when changing accessories such as blades, bits, cutters, and the like.
- 16. REDUCE THE RISK OF UNINTENTIONAL STARTING.** Make sure the switch is in the OFF position before plugging in or inserting battery if applicable.
- 17. USE RECOMMENDED ACCESSORIES.** Consult the owner's manual for recommended accessories. The use of improper accessories may cause risk of injury to persons or damage to the tool.
- 18. NEVER STAND ON THE TOOL.** Serious injury could occur if the tool is tipped or if the cutting tool is accidentally contacted.
- 19. CHECK FOR DAMAGED PARTS.** Before every use of the tool, check the guard or other parts for damage, check to determine that it will operate properly and perform its intended function - check for alignment of moving parts, binding of moving parts, its operation. A guard or other part that is damaged should be properly repaired or replaced.

GENERAL SAFETY INSTRUCTIONS

- 1. KNOW YOUR POWER TOOL.** Read this owner's manual carefully. Learn the tool's applications and limitations, as well as its specific potential hazards.
- 2. KEEP GUARDS IN PLACE** and in working order, never use the tool if any damage is present.
- 3. REMOVE ADJUSTING KEYS AND WRENCHES.** Form a habit of checking to see that adjusting tools and wrenches are removed from machine before turning it on.
- 4. KEEP WORK AREA CLEAN.** Cluttered areas and benches invite accidents.
- 5. DON'T USE IN DANGEROUS ENVIRONMENTS.** Don't use power tools in damp or wet locations, or expose them to rain. Keep work area well lit. Don't use the tool in the presence of flammable liquids or gases.
- 6. KEEP CHILDREN AWAY.** All visitors should be kept a safe distance from work area.
- 7. MAKE THE WORKSHOP CHILD PROOF** with padlocks, master switches or by removing starter keys.
- 8. DON'T FORCE THE TOOL.** It will do the job better and safer at the rate for which it was designed.
- 9. USE THE CORRECT TOOL.** Don't force the tool or attachment to do a job for which it was not designed; for example, don't use a circular saw for cutting tree limbs or logs.
- 10. WEAR PROPER APPAREL.** Do not wear loose clothing, gloves, neckties, rings, bracelets, or other jewellery which may get caught in moving parts. Non-slip footwear is recommended. Wear protective hair covering to contain long hair.
- 11. ALWAYS USE SAFETY GLASSES.** Also use a face or dust mask if cutting operation is dusty everyday, eyeglasses only have impact resistant lenses, they are NOT safety glasses.
- 12. SECURE WORK.** Use clamps or a vice to hold work when practical. It's safer than using your hand and it frees both hands to operate tool.
- 13. DON'T OVERREACH.** Keep proper footing and balance at all times.
- 14. MAINTAIN TOOLS WITH CARE.** Keep tools sharp and clean for best and safest performance. Follow instructions for lubricating and changing accessories.
- 15. DISCONNECT THE TOOL.** Before servicing; when changing accessories such as blades, bits, cutters, and the like.
- 16. REDUCE THE RISK OF UNINTENTIONAL STARTING.** Make sure the switch is in the OFF position before plugging in or inserting battery if applicable.
- 17. USE RECOMMENDED ACCESSORIES.** Consult the owner's manual for recommended accessories. The use of improper accessories may cause risk of injury to persons or damage to the tool.
- 18. NEVER STAND ON THE TOOL.** Serious injury could occur if the tool is tipped or if the cutting tool is accidentally contacted.
- 19. CHECK FOR DAMAGED PARTS.** Before every use of the tool, check the guard or other parts for damage, check to determine that it will operate properly and perform its intended function - check for alignment of moving parts, binding of moving parts, its operation. A guard or other part that is damaged should be properly repaired or replaced.

GENERAL SAFETY INSTRUCTIONS...cont

20. DIRECTION OF FEED. Feed work into a blade or cutter against the direction of rotation of the blade or cutter only.

21. NEVER LEAVE THE TOOL RUNNING UNATTENDED. TURN the power off. Don't leave the tool until it comes to a complete stop.

22. DON'T ABUSE CORD. Never carry the tool by the cord or pull it to disconnect the plug from the mains socket. Keep cord away from heat, oil and sharp edges.

23. USE SUITABLE VOLTAGE. Before connecting the machine to a power source, be sure that the voltage supplied is the same as that specified on the nameplate of the machine.

GENERAL SAFETY INSTRUCTIONS...cont

20. DIRECTION OF FEED. Feed work into a blade or cutter against the direction of rotation of the blade or cutter only.

21. NEVER LEAVE THE TOOL RUNNING UNATTENDED. TURN the power off. Don't leave the tool until it comes to a complete stop.

22. DON'T ABUSE CORD. Never carry the tool by the cord or pull it to disconnect the plug from the mains socket. Keep cord away from heat, oil and sharp edges.

23. USE SUITABLE VOLTAGE. Before connecting the machine to a power source, be sure that the voltage supplied is the same as that specified on the nameplate of the machine.

SPECIFIC SAFETY INSTRUCTIONS



Caution! If used incorrectly, woodworking machines can be dangerous; for this reason always comply with the safety instructions mentioned in this manual.

- The filtration housing contains a high speed fan that can amputate fingers, grab loose clothing and neckties, propel dust and chips of wood at high velocities. **DO NOT OPERATE WITHOUT ALL GUARDS AND PARTS IN PLACE.**
- Do not attempt to clean the extractor, remove the dust bags, or service the unit when the power is ON. Turn the extractor OFF and disconnect the mains lead from the power supply and allow the internal fan to come to a complete stop prior to any adjustment, cleaning or maintenance.
- Static shocks are common in dry areas or when the relative humidity of the air is too low, The use of a humidifier in the work place will help raise the relative humidity, and may reduce static shocks.
- DO NOT vacuum, or use the dust collector near flammable or combustible liquids, gases, petrol or any other fuels or liquids.
- DO NOT vacuum anything that is burning, hot or smoking, such as cigarettes, matches, or hot ashes.
- Be aware what is likely to get sucked into the machine, avoid sucking up metal objects such as nails etc. This extractor is designed for the sole purpose of extracting wood chippings or similar. Internal damage could occur if this rule is not followed.
- Use the extractor on a stable, level surface.
- Position the vacuum hose and mains lead away from heavy traffic areas.
- Do not use the extractor without the dust / filter bag and the chip bag in place.
- Always ensure the mains supply matches what is written on the specification plate of the dust extractor (or in this manual), and that the supply is correctly earthed.
- Use only the correct heavy duty bags when replacing the filter or the collection bag.
- **CAUTION:** Using this dust collector should help to keep airborne dust within acceptable limits, you must regularly monitor airborne dust and maintain your dust collector accordingly to avoid exceeding these limits. Each application is unique, your maintenance schedule must therefore be tailored to your specific use of this dust extractor. Safety is a combination of common sense, staying alert, and knowing how your dust collector works.
- Do not uplift workshop floor debris if it contains stones, nails, screws etc, the extractor is only designed for wood and wood by-products.
- Be aware that wood dust is an explosive medium. Do not allow any 'naked' light source to occur anywhere near the machine, this includes cigarettes, matches, etc, and do not place the extractor near any unprotected light bulbs, or other

SPECIFIC SAFETY INSTRUCTIONS



Caution! If used incorrectly, woodworking machines can be dangerous; for this reason always comply with the safety instructions mentioned in this manual.

- The filtration housing contains a high speed fan that can amputate fingers, grab loose clothing and neckties, propel dust and chips of wood at high velocities. **DO NOT OPERATE WITHOUT ALL GUARDS AND PARTS IN PLACE.**
- Do not attempt to clean the extractor, remove the dust bags, or service the unit when the power is ON. Turn the extractor OFF and disconnect the mains lead from the power supply and allow the internal fan to come to a complete stop prior to any adjustment, cleaning or maintenance.
- Static shocks are common in dry areas or when the relative humidity of the air is too low, The use of a humidifier in the work place will help raise the relative humidity, and may reduce static shocks.
- DO NOT vacuum, or use the dust collector near flammable or combustible liquids, gases, petrol or any other fuels or liquids.
- DO NOT vacuum anything that is burning, hot or smoking, such as cigarettes, matches, or hot ashes.
- Be aware what is likely to get sucked into the machine, avoid sucking up metal objects such as nails etc. This extractor is designed for the sole purpose of extracting wood chippings or similar. Internal damage could occur if this rule is not followed.
- Use the extractor on a stable, level surface.
- Position the vacuum hose and mains lead away from heavy traffic areas.
- Do not use the extractor without the dust / filter bag and the chip bag in place.
- Always ensure the mains supply matches what is written on the specification plate of the dust extractor (or in this manual), and that the supply is correctly earthed.
- Use only the correct heavy duty bags when replacing the filter or the collection bag.
- **CAUTION:** Using this dust collector should help to keep airborne dust within acceptable limits, you must regularly monitor airborne dust and maintain your dust collector accordingly to avoid exceeding these limits. Each application is unique, your maintenance schedule must therefore be tailored to your specific use of this dust extractor. Safety is a combination of common sense, staying alert, and knowing how your dust collector works.
- Do not uplift workshop floor debris if it contains stones, nails, screws etc, the extractor is only designed for wood and wood by-products.
- Be aware that wood dust is an explosive medium. Do not allow any 'naked' light source to occur anywhere near the machine, this includes cigarettes, matches, etc, and do not place the extractor near any unprotected light bulbs, or other

SPECIFIC SAFETY INSTRUCTIONS...cont

heat sources.

- If you are not using 'clear' extraction hose, periodically remove the hose to check that the inlet to the machine is not getting restricted. (The safety guard grill of the inlet duct can be particularly prone to blockage particularly if the operation produces large amounts chippings such as when the extractor is connected to a planer or thicknesser.
- Keep the dust bag clean, the machine relies on its ability to 'blow' air through the dust bag, to generate good suction. If the cloth of the bag starts to clog, this reduces the air flow and hence the machine becomes less efficient.
- Empty the bag as often as possible (and is practical); as the bag fills up there is less free area of the bag to allow the air to flow through, again reducing the efficiency of the machine.

Before using your dust extractor:

- Fully complete the assembly, mounting, and alignment of all parts of the dust extractor.
- Learn the function and correct use of the on / off (NVR) switch.
- Read and understand all the safety instructions and operating procedures throughout this manual.

Before each use:

- Inspect your dust collector, If any parts are missing, damaged, bent, or fail in any way, or any electrical components do not work correctly, turn off the dust collector and remove the plug from the mains supply.
- Replace damaged, missing, or failed parts immediately.
- When cleaning the collection bags, always wear a dust mask and eye protection.



WARNING! Before connecting the dust collector to the mains supply be sure that the voltage supply is the same as that specified on the nameplate of the tool. A power source with a voltage greater or lower than that specified for the tool can result in serious injury to the user, as well as damage to the tool. If in doubt, do not plug the tool into the mains supply. Always turn the machine off and remove the plug from the mains socket before making any adjustments or maintenance.



CAUTION: The warnings and cautions mentioned in this user manual can not cover all possible conditions and situations that may occur. It must be understood by the operator that common sense and caution are factors which cannot be built into this product, but must be applied.

SPECIFIC SAFETY INSTRUCTIONS...cont

heat sources.

- If you are not using 'clear' extraction hose, periodically remove the hose to check that the inlet to the machine is not getting restricted. (The safety guard grill of the inlet duct can be particularly prone to blockage particularly if the operation produces large amounts chippings such as when the extractor is connected to a planer or thicknesser.
- Keep the dust bag clean, the machine relies on its ability to 'blow' air through the dust bag, to generate good suction. If the cloth of the bag starts to clog, this reduces the air flow and hence the machine becomes less efficient.
- Empty the bag as often as possible (and is practical); as the bag fills up there is less free area of the bag to allow the air to flow through, again reducing the efficiency of the machine.

Before using your dust extractor:

- Fully complete the assembly, mounting, and alignment of all parts of the dust extractor.
- Learn the function and correct use of the on / off (NVR) switch.
- Read and understand all the safety instructions and operating procedures throughout this manual.

Before each use:

- Inspect your dust collector, If any parts are missing, damaged, bent, or fail in any way, or any electrical components do not work correctly, turn off the dust collector and remove the plug from the mains supply.
- Replace damaged, missing, or failed parts immediately.
- When cleaning the collection bags, always wear a dust mask and eye protection.



WARNING! Before connecting the dust collector to the mains supply be sure that the voltage supply is the same as that specified on the nameplate of the tool. A power source with a voltage greater or lower than that specified for the tool can result in serious injury to the user, as well as damage to the tool. If in doubt, do not plug the tool into the mains supply. Always turn the machine off and remove the plug from the mains socket before making any adjustments or maintenance.



CAUTION: The warnings and cautions mentioned in this user manual can not cover all possible conditions and situations that may occur. It must be understood by the operator that common sense and caution are factors which cannot be built into this product, but must be applied.

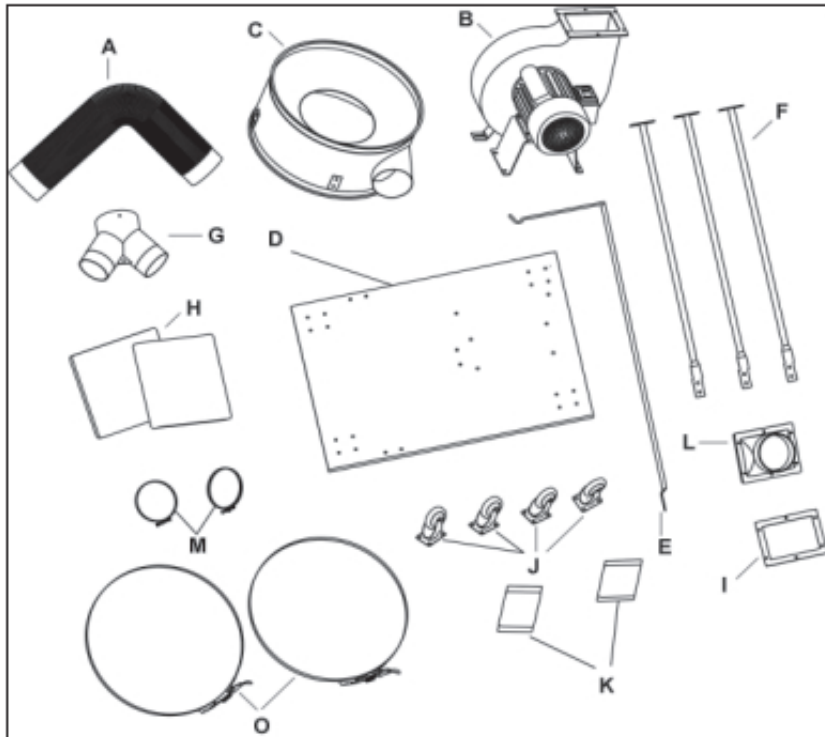
TECHNICAL SPECIFICATIONS

Part Number	01954
Input Voltage	230v ~ 50hz
Power	3 hp (2237 watts)
Air Flow	2526 m ³ /hour
Inlet Ø	2 x 100 mm
Impellor Ø	300 mm
Net Weight	47 Kg

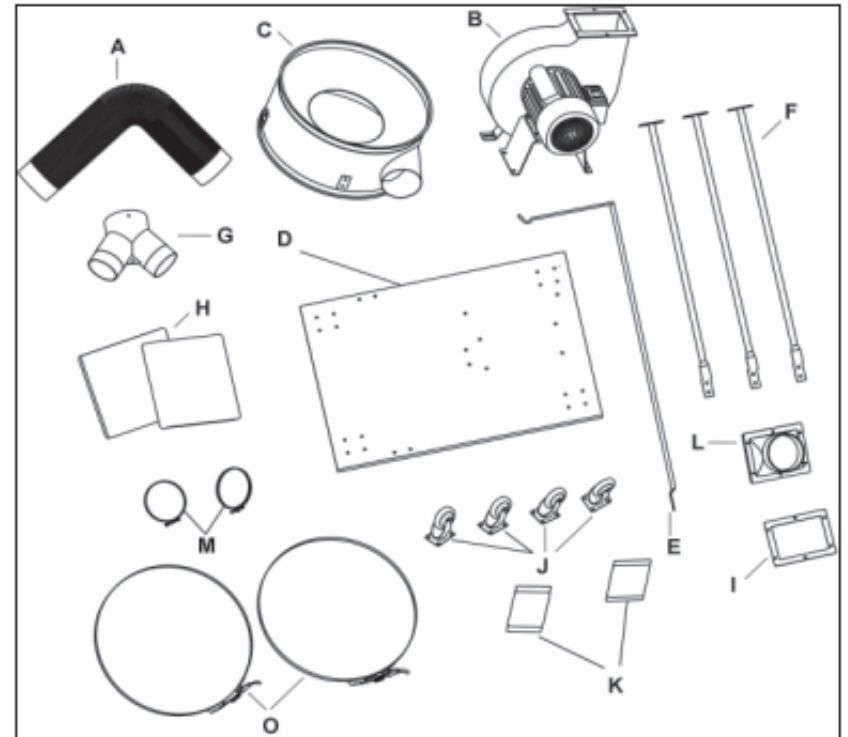
TECHNICAL SPECIFICATIONS

Part Number	01954
Input Voltage	230v ~ 50hz
Power	3 hp (2237 watts)
Air Flow	2526 m ³ /hour
Inlet Ø	2 x 100 mm
Impellor Ø	300 mm
Net Weight	47 Kg

CONTENTS AND ACCESSORIES



CONTENTS AND ACCESSORIES



CONTENTS AND ACCESSORIES...cont

A.	Hose	H.	Filter / Collection Bags
B.	Impellor / Motor Assembly	I.	Gasket
C.	Collector Body	J.	Castors
D.	Base Plate	K.	Fixing kit / Tools
E.	Filter Bag Support	L.	Outlet Adaptor
F.	Collector Body Supports	M.	Hose Clamps
G.	Inlet Adaptor	O.	Bag Clamps

GUARANTEE

Guarantee:

This SIP dust collector is covered by a 24 month parts and labour warranty covering failure due to manufacturers defects. This does not cover failure due to misuse or operating the machine outside the scope of this manual.

In the unlikely event of warranty claims, contact your distributor as soon as possible. Proof of purchase will be required before any warranty can be honoured.



Note: Proof of purchase will be required before any warranty can be honoured.

CONTENTS AND ACCESSORIES...cont

A.	Hose	H.	Filter / Collection Bags
B.	Impellor / Motor Assembly	I.	Gasket
C.	Collector Body	J.	Castors
D.	Base Plate	K.	Fixing kit / Tools
E.	Filter Bag Support	L.	Outlet Adaptor
F.	Collector Body Supports	M.	Hose Clamps
G.	Inlet Adaptor	O.	Bag Clamps

GUARANTEE

Guarantee:

This SIP dust collector is covered by a 24 month parts and labour warranty covering failure due to manufacturers defects. This does not cover failure due to misuse or operating the machine outside the scope of this manual.

In the unlikely event of warranty claims, contact your distributor as soon as possible. Proof of purchase will be required before any warranty can be honoured.



Note: Proof of purchase will be required before any warranty can be honoured.

ELECTRICAL CONNECTION

Connecting to the power supply:

This SIP dust collector is fitted with a standard 230v ~ 13 amp plug. Before using the machine, inspect the mains lead and plug to ensure that neither are damaged. If any damage is visible have the lathe inspected / repaired by a suitably qualified person. If it is necessary to replace the plug a heavy duty impact resistant plug would be preferable.

The wires for the plug are coloured in the following way:

Yellow / green	Earth
Blue	Neutral
Brown	Live

As the colours of the wires may not correspond with the markings in your plug, proceed as follows: The wire which is coloured blue, must be connected to the terminal marked with N or coloured black. The wire which is coloured brown, must be connected to the terminal, which is marked L or coloured red. The wire which is coloured yellow / green should be connected to the terminal which is coloured the same or marked \perp

Always secure the wires in the plug terminal carefully and tightly. Secure the cable in the cord grip carefully.



Warning: Never connect live or neutral wires to the earth terminal of the plug. Only fit an approved plug with the correct rated fuse. If in doubt consult a qualified electrician.



Note: Always make sure the mains supply is of the correct voltage and the correct fuse protection is used. In the event of replacing the fuse always replace like for like.



Note: If an extension lead is required in order to reach the mains supply; ensure that this too is rated for the correct voltage and fuse rating (230v ~ 13 amps).



Note: The cross section of the extension lead should be checked so that it is of sufficient size so as to reduce the chances of voltage drops.

ELECTRICAL CONNECTION

Connecting to the power supply:

This SIP dust collector is fitted with a standard 230v ~ 13 amp plug. Before using the machine, inspect the mains lead and plug to ensure that neither are damaged. If any damage is visible have the lathe inspected / repaired by a suitably qualified person. If it is necessary to replace the plug a heavy duty impact resistant plug would be preferable.

The wires for the plug are coloured in the following way:

Yellow / green	Earth
Blue	Neutral
Brown	Live

As the colours of the wires may not correspond with the markings in your plug, proceed as follows: The wire which is coloured blue, must be connected to the terminal marked with N or coloured black. The wire which is coloured brown, must be connected to the terminal, which is marked L or coloured red. The wire which is coloured yellow / green should be connected to the terminal which is coloured the same or marked \perp

Always secure the wires in the plug terminal carefully and tightly. Secure the cable in the cord grip carefully.



Warning: Never connect live or neutral wires to the earth terminal of the plug. Only fit an approved plug with the correct rated fuse. If in doubt consult a qualified electrician.



Note: Always make sure the mains supply is of the correct voltage and the correct fuse protection is used. In the event of replacing the fuse always replace like for like.



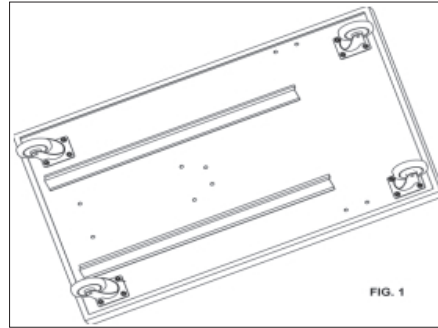
Note: If an extension lead is required in order to reach the mains supply; ensure that this too is rated for the correct voltage and fuse rating (230v ~ 13 amps).



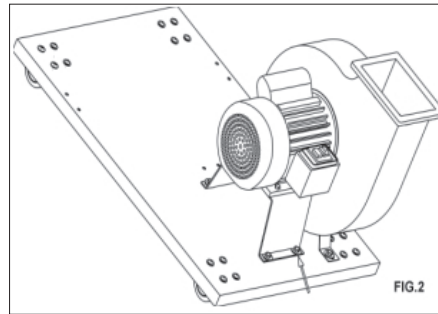
Note: The cross section of the extension lead should be checked so that it is of sufficient size so as to reduce the chances of voltage drops.

ASSEMBLY INSTRUCTIONS

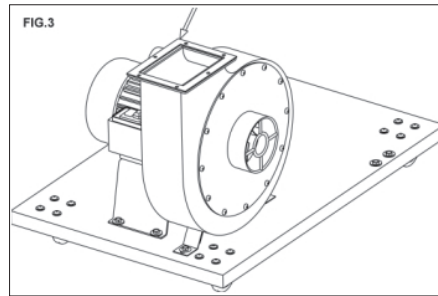
Firstly; attach the 4 x casters to the relevant holes on the corners of the base plate using the screws, washers and nuts provided. Fully tighten to secure. FIG. 1.



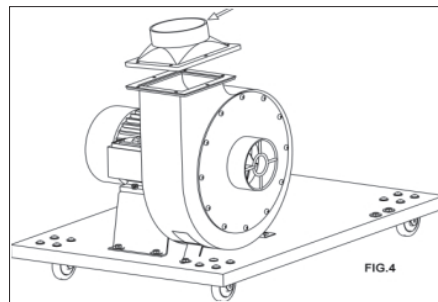
Fit the collector body / motor housing to the motor support bracket as shown, using the bolts, washers and nuts provided. Then fit the whole assembly to the main base using the bolts and washers provided. Fully tighten all nuts / bolts to secure. FIG. 2.



Fit the gasket to the outlet opening of the collector body / motor housing. FIG. 3.

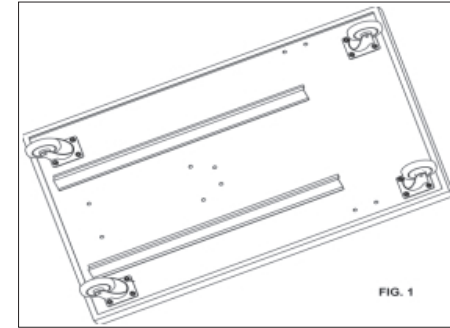


Fit the inlet adaptor over the gasket ensuring that the holes all line up. Secure in place with the bolts, washers and nuts provided. Fully tighten secure in place. FIG. 4.

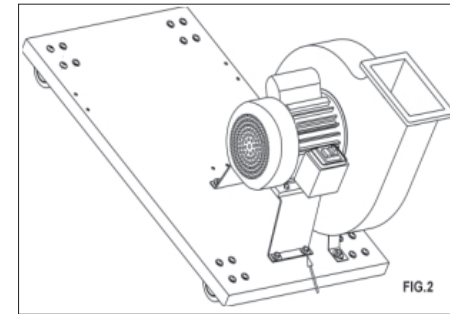


ASSEMBLY INSTRUCTIONS

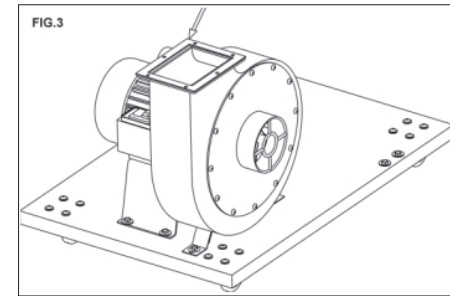
Firstly; attach the 4 x casters to the relevant holes on the corners of the base plate using the screws, washers and nuts provided. Fully tighten to secure. FIG. 1.



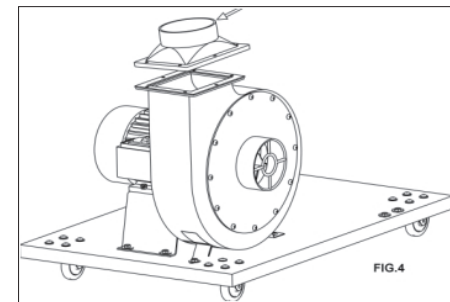
Fit the collector body / motor housing to the motor support bracket as shown, using the bolts, washers and nuts provided. Then fit the whole assembly to the main base using the bolts and washers provided. Fully tighten all nuts / bolts to secure. FIG. 2.



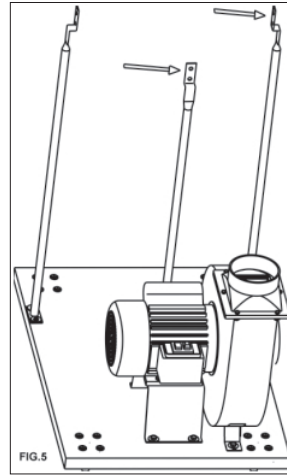
Fit the gasket to the outlet opening of the collector body / motor housing. FIG. 3.



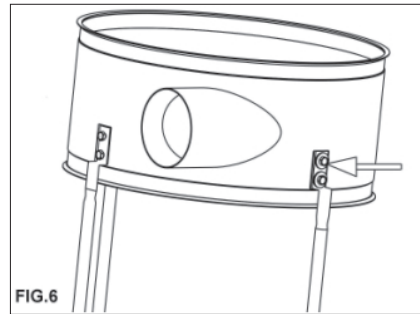
Fit the inlet adaptor over the gasket ensuring that the holes all line up. Secure in place with the bolts, washers and nuts provided. Fully tighten secure in place. FIG. 4.



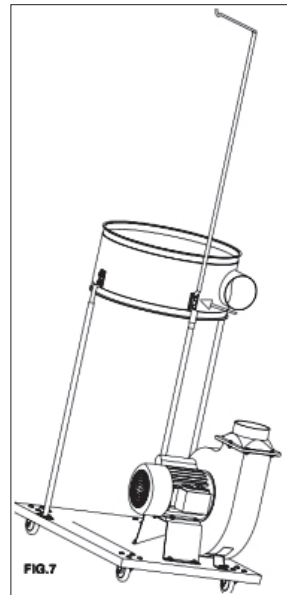
Fit the 3 x collector supports to the base as shown with the bolts and washers provided. Fully tighten to secure. FIG. 5.



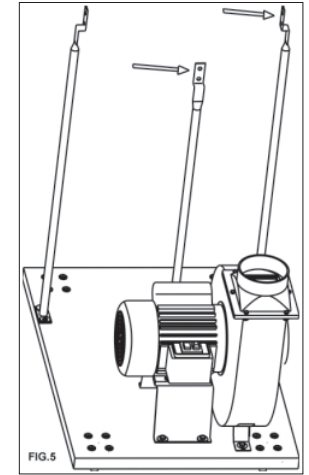
Fit the collector as shown with the bolts and washers provided. **Note:** Only fit the 2 x side supports with bolts at this point; leave the 3rd one free. FIG. 6.



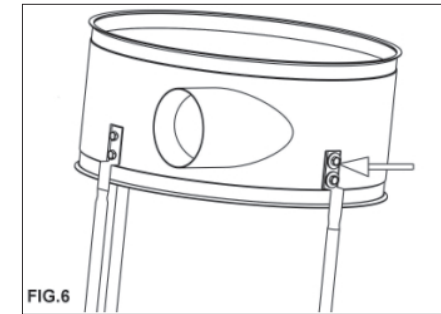
Fit the upper bag support to the 3rd support as shown and fully tighten all bolts to secure. FIG. 7.



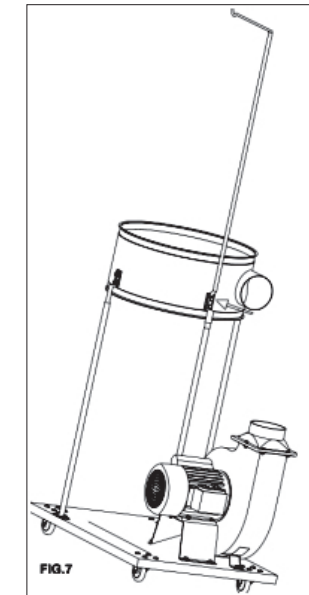
Fit the 3 x collector supports to the base as shown with the bolts and washers provided. Fully tighten to secure. FIG. 5.



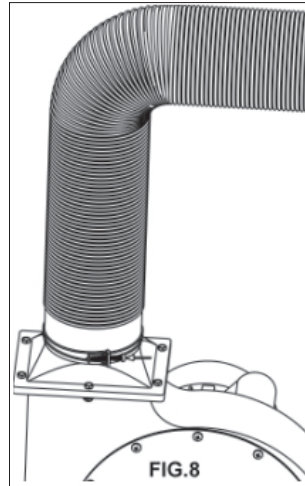
Fit the collector as shown with the bolts and washers provided. **Note:** Only fit the 2 x side supports with bolts at this point; leave the 3rd one free. FIG. 6.



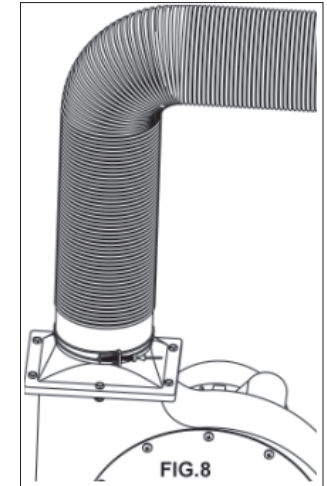
Fit the upper bag support to the 3rd support as shown and fully tighten all bolts to secure. FIG. 7.



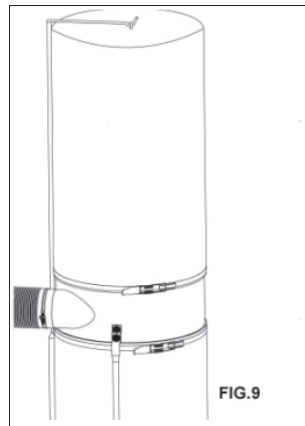
Now fit a hose clamp over the hose and slide one end of the hose over the outlet adaptor; fit the 2nd hose clamp over the other end of the hose and slide that end over the opening in the collector. FIG. 8.



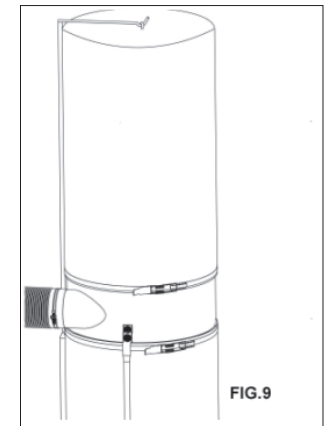
Now fit a hose clamp over the hose and slide one end of the hose over the outlet adaptor; fit the 2nd hose clamp over the other end of the hose and slide that end over the opening in the collector. FIG. 8.



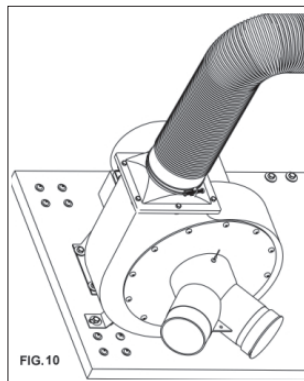
Fit the collection / filter bags over the collector as shown. Secure in place with the bag clamps provided. FIG. 9.



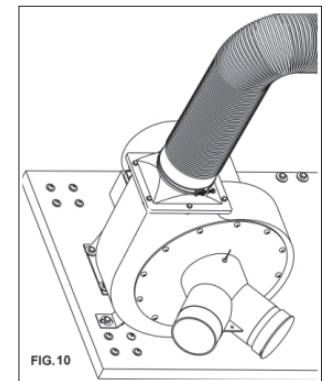
Fit the collection / filter bags over the collector as shown. Secure in place with the bag clamps provided. FIG. 9.

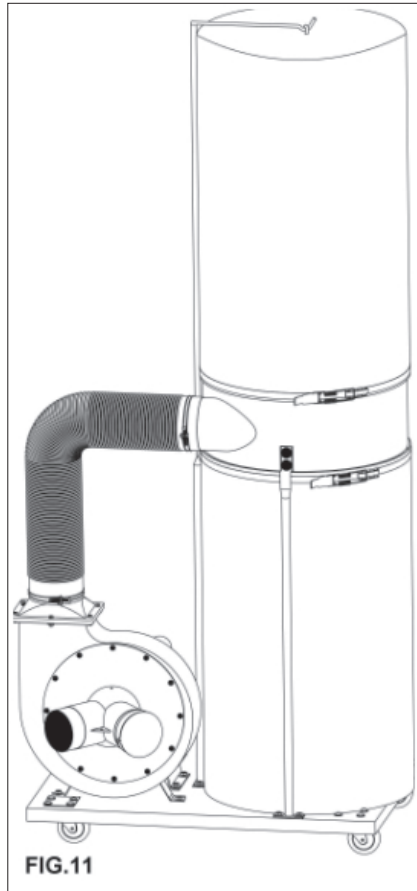


Fit the double inlet adaptor over the inlet on the collector body / motor housing and secure in place with the screw provided. FIG. 10.



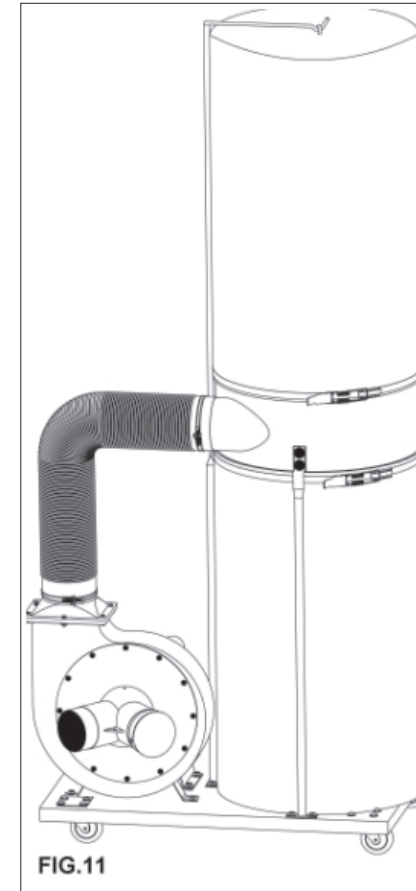
Fit the double inlet adaptor over the inlet on the collector body / motor housing and secure in place with the screw provided. FIG. 10.





When the dust collector has been fully assembled, a second check should be carried out to ensure that all of the nuts, bolts and bags etc. are fitted correctly and are fully secure. After the re-inspection, you can connect the machine to a power source and have a trial run (see page 15 for operating instructions).

NOTE: The trial run should be done according to the Safety Rules and care should be taken to ensure nothing that could get sucked in is close to the inlet of the dust collector.



When the dust collector has been fully assembled, a second check should be carried out to ensure that all of the nuts, bolts and bags etc. are fitted correctly and are fully secure. After the re-inspection, you can connect the machine to a power source and have a trial run (see page 15 for operating instructions).

NOTE: The trial run should be done according to the Safety Rules and care should be taken to ensure nothing that could get sucked in is close to the inlet of the dust collector.

OPERATING INSTRUCTIONS

On / Off NVR Switch:

Once fully assembled an inlet pipe can be fitted to the inlet adaptor and the desired woodworking machine.

To start the dust collector; lift the yellow cover and press the green button (I).
To stop the dust collector; press the red (0) button, or alternatively close the yellow cover.

Your SIP dust collector is fitted with a safety NVR (No Volt Release) switch. This means that if power is cut to the dust collector (such as in a power failure); the motor will not start to run once the power is returned without the operator following the above instructions to restart the dust collector.

Ensure all clamps, hose and bag, are secure and follow the instructions above to start the motor.

Once the operation is complete; follow the instructions above to stop the motor.

Always check the collector bag, and empty as often as possible / is practical.

Note: To maximise the air-flow and suction capabilities of the dust extractor always remove the 2nd pipe (if connected) from the double inlet adaptor and fit the adaptor cover, when you are only working on one planer / saw etc.

MAINTENANCE

This dust extractor needs very little maintenance a common sense approach should give you years of good service.

- Ensure all nuts / bolts etc are tight before each use.
- Empty and clean bags regularly.
- Ensure that all hoses are clear from debris regularly.
- Always keep the motor free from contamination.

If your collection / filter bags become damaged or if you need a spare set they are available on the following SIP part numbers: 35 Micron set - 65800
5 Micron set - 65801

OPERATING INSTRUCTIONS

On / Off NVR Switch:

Once fully assembled an inlet pipe can be fitted to the inlet adaptor and the desired woodworking machine.

To start the dust collector; lift the yellow cover and press the green button (I).
To stop the dust collector; press the red (0) button, or alternatively close the yellow cover.

Your SIP dust collector is fitted with a safety NVR (No Volt Release) switch. This means that if power is cut to the dust collector (such as in a power failure); the motor will not start to run once the power is returned without the operator following the above instructions to restart the dust collector.

Ensure all clamps, hose and bag, are secure and follow the instructions above to start the motor.

Once the operation is complete; follow the instructions above to stop the motor.

Always check the collector bag, and empty as often as possible / is practical.

Note: To maximise the air-flow and suction capabilities of the dust extractor always remove the 2nd pipe (if connected) from the double inlet adaptor and fit the adaptor cover, when you are only working on one planer / saw etc.

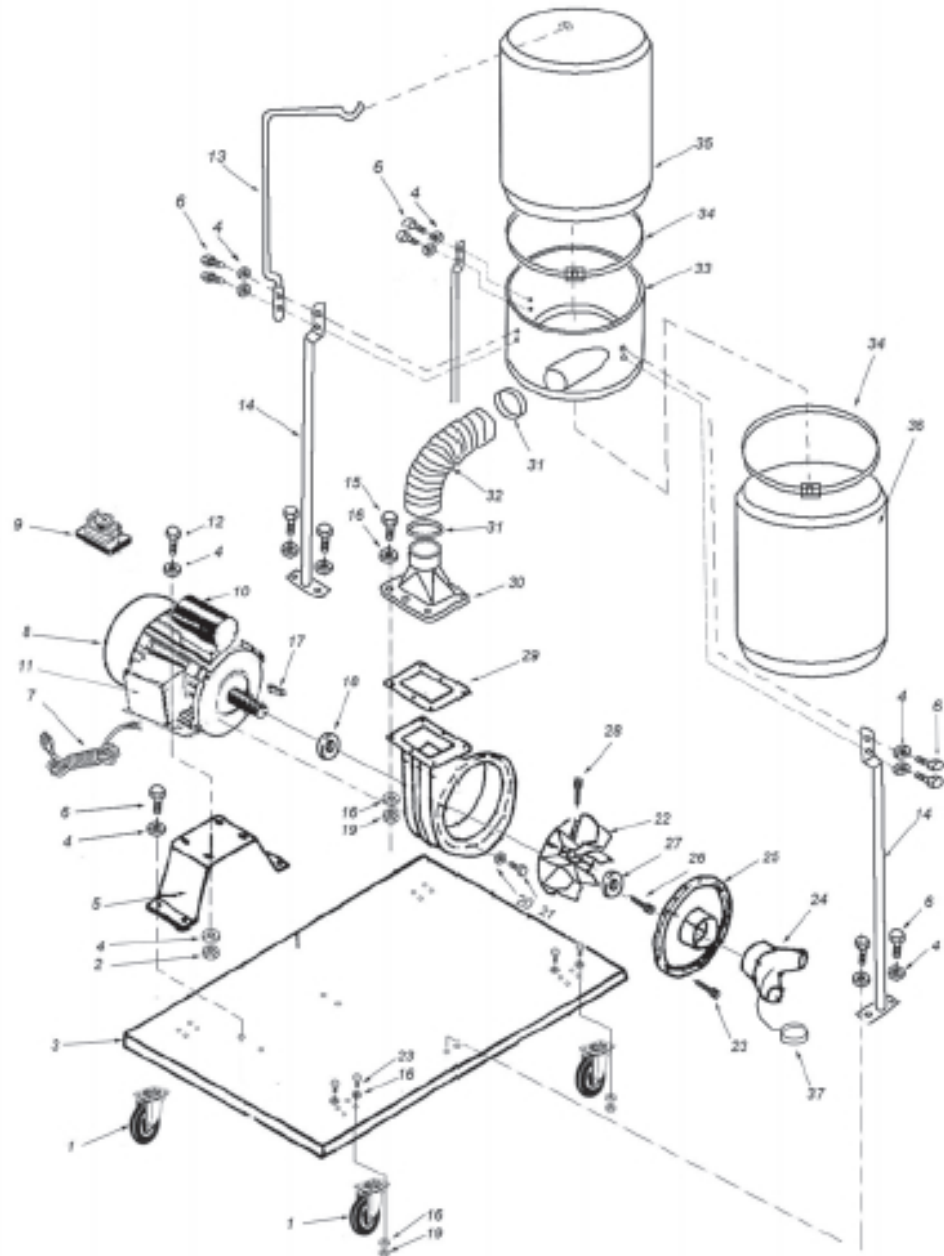
MAINTENANCE

This dust extractor needs very little maintenance a common sense approach should give you years of good service.

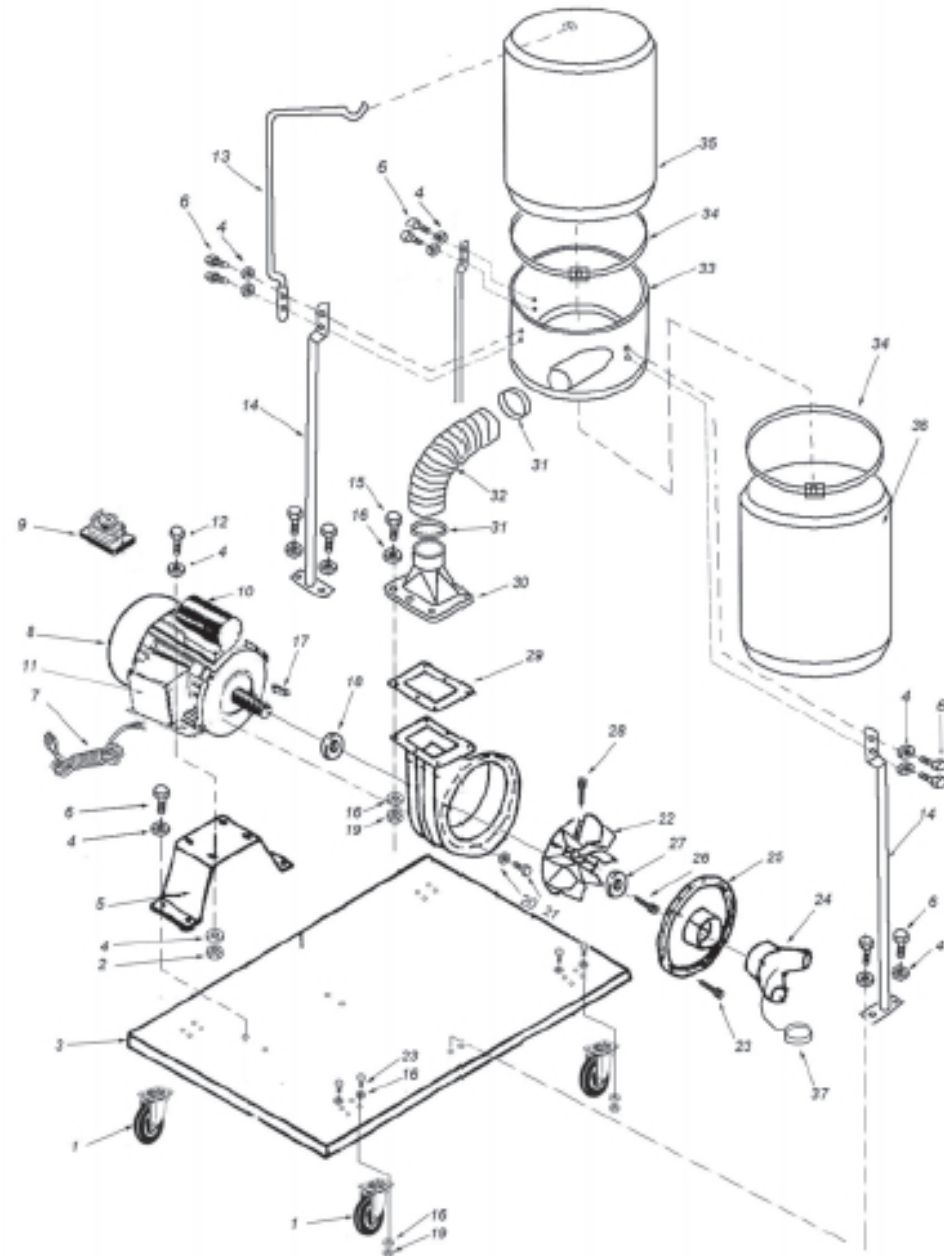
- Ensure all nuts / bolts etc are tight before each use.
- Empty and clean bags regularly.
- Ensure that all hoses are clear from debris regularly.
- Always keep the motor free from contamination.

If your collection / filter bags become damaged or if you need a spare set they are available on the following SIP part numbers: 35 Micron set - 65800
5 Micron set - 65801

EXPLODED DRAWING



EXPLODED DRAWING



PARTS LIST

Ref No.	Description	Ref No.	Description
1.	Universal Caster	29.	Main Fan Assembly Outlet Seal
2.	Nut M8	30.	Main Fan Assembly Outlet
3.	Base Plate	31.	Hose clamp
4.	Washer 8 mm	32.	Main On-board Hose
5.	Motor Support Bracket	33.	Collector assembly
6.	Bolt M8 x 16	34.	Bag clamp
7.	Mains Lead	35.	Filter bag
8.	Motor	36.	Collector bag
9.	Switch	37.	Inlet adaptor cover
10.	Capacitor		
11.	Switch box		
12.	Bolt M8 x 25		
13.	Upper bag support		
14.	Collector Support		
15.	Bolt M6 x 20		
16.	Washer 6 mm		
17.	Key		
18.	Packing		
19.	Nut M6		
20.	Washer		
21.	Screw Hex		
22.	Turbo Fan		
23.	Screw M6 Cross head		
24.	Double Inlet Adaptor		
25.	Inlet cover		
26.	Screw Hex		
27.	Washer		
28.	Screw hex		

PARTS LIST

Ref No.	Description	Ref No.	Description
1.	Universal Caster	29.	Main Fan Assembly Outlet Seal
2.	Nut M8	30.	Main Fan Assembly Outlet
3.	Base Plate	31.	Hose clamp
4.	Washer 8 mm	32.	Main On-board Hose
5.	Motor Support Bracket	33.	Collector assembly
6.	Bolt M8 x 16	34.	Bag clamp
7.	Mains Lead	35.	Filter bag
8.	Motor	36.	Collector bag
9.	Switch	37.	Inlet adaptor cover
10.	Capacitor		
11.	Switch box		
12.	Bolt M8 x 25		
13.	Upper bag support		
14.	Collector Support		
15.	Bolt M6 x 20		
16.	Washer 6 mm		
17.	Key		
18.	Packing		
19.	Nut M6		
20.	Washer		
21.	Screw Hex		
22.	Turbo Fan		
23.	Screw M6 Cross head		
24.	Double Inlet Adaptor		
25.	Inlet cover		
26.	Screw Hex		
27.	Washer		
28.	Screw hex		



Please dispose of packaging for the product in a responsible manner. It is suitable for recycling. Help to protect the environment, take the packaging to the local amenity tip and place into the appropriate recycling bin.



Never dispose of electrical equipment or batteries in with your domestic waste. If your supplier offers a disposal facility please use it or alternatively use a recognised re-cycling agent. This will allow the recycling of raw materials and help protect the environment.



Please dispose of packaging for the product in a responsible manner. It is suitable for recycling. Help to protect the environment, take the packaging to the local amenity tip and place into the appropriate recycling bin.



Never dispose of electrical equipment or batteries in with your domestic waste. If your supplier offers a disposal facility please use it or alternatively use a recognised re-cycling agent. This will allow the recycling of raw materials and help protect the environment.

FOR HELP OR ADVISE ON THIS PRODUCT PLEASE CONTACT YOUR DISTRIBUTOR.

FOR HELP OR ADVISE ON THIS PRODUCT PLEASE CONTACT YOUR DISTRIBUTOR.